



Single View Smart Dash Cam

# CONTENTS

- CONTENTS.....2
- INTRODUCTION.....3
- SC 100 DASH CAM FEATURES.....3
- PRODUCT SERVICE AND SUPPORT .....4
- WHAT’S IN THE BOX.....4
- OPTIONAL ACCESSORIES – available at [www.cobra.com](http://www.cobra.com) .....5
- HARDWARE INTERFACE .....6
- INSTALLATION.....7
- BASIC OPERATION.....8
- INITIAL SETUP .....9
  - DRIVE SMARTER® APP CONNECTION ..... 9
  - iRADAR® APP CONNECTION ..... 10
- VIDEO SETTINGS .....11
- VIDEO AND PHOTO PLAYBACK MODE.....11
- MEMORY CARD STORAGE.....14
- SAFETY FEATURES .....15
- GENERAL SETTINGS.....16
- FIRMWARE UPDATES .....19
- CAMERA SPECIFICATIONS .....20
- TROUBLESHOOTING.....21
- FAQ.....21
- TRADEMARKS ACKNOWLEDGEMENT, WARNINGS, and REGULATORY INFORMATION.....22

# INTRODUCTION

Congratulations! You made the smart choice by purchasing an SC Series Dash Cam from Cobra. SC Series cameras provide peace of mind by continuously recording the road in beautiful HD video. With cutting edge features, phenomenal video quality, and an industry-leading focus on user experience, SC Dash Cams are the best solution to record your ride. This User Manual covers the SC 100.

## SC 100 DASH CAM FEATURES

### **Front-View Lens**

with 1080P Full HD Quality

### **Dual Band Wi-Fi**

Flawless Connectivity

### **Instant Driver Alerts**

Red-Light & Speed Cameras, Police, and Community Radar alerts

### **140°**

Field of View

### **Embedded GPS**

Location and Speed Information

### **Includes**

8GB SD Card

# PRODUCT SERVICE AND SUPPORT

For any questions about operating or installing this new Cobra product, PLEASE CONTACT COBRA FIRST...do not return this product to the retail store. The contact information for Cobra will vary depending on the country in which you purchased and utilize the product. For the latest contact information, please go to [www.cobra.com/support](http://www.cobra.com/support).

## WHAT'S IN THE BOX

### What's Included:

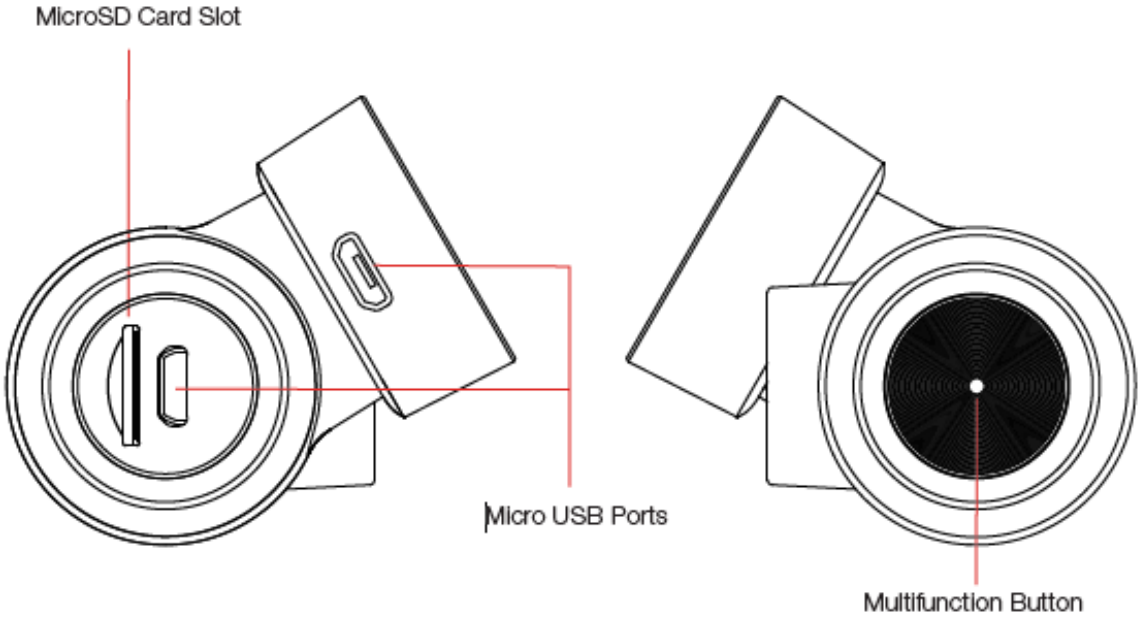
- SC 100 Dash Cam
- 8GB MicroSD Card
- GPS Mount
- Vehicle Charger
- Micro USB Data Cable
- Quick Start Guide



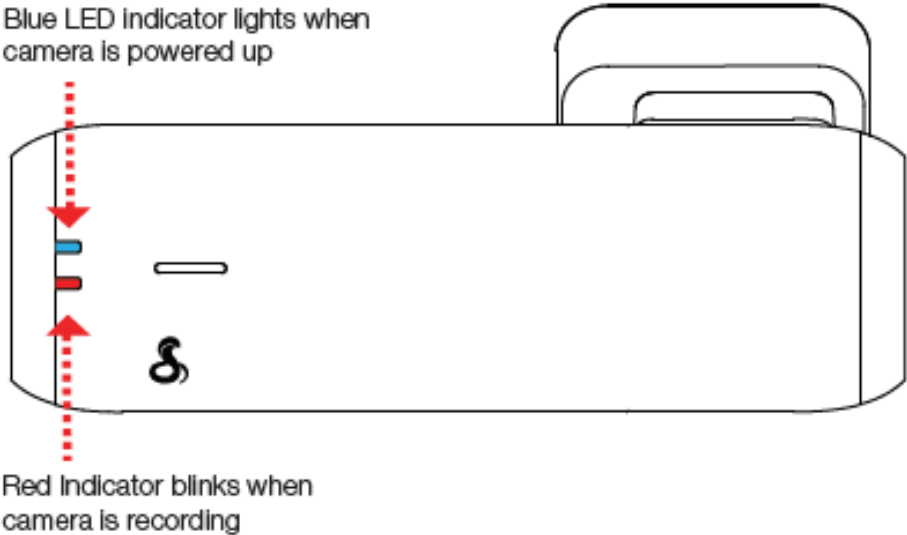
## OPTIONAL ACCESSORIES – available at [www.cobra.com](http://www.cobra.com)

- Hardwire Kit: **CA-MICROUSB-001** – Wires your dash cam directly into the fuse box for a quick and clean installation without any dangling wires

# HARDWARE INTERFACE



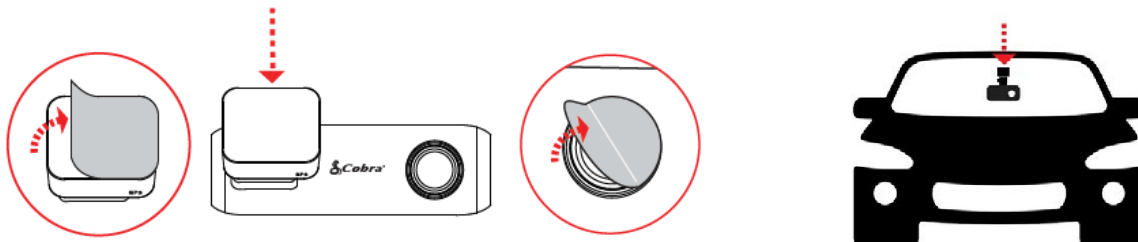
Button Press	Camera Action
Press and Hold 3 seconds	Power on/off
Short Press (Not Recording)	Begin Recording
Short Press (During Recording)	Lock Video
2x Short Press	Take Photo
Press and Hold 10 seconds	Reset



# INSTALLATION

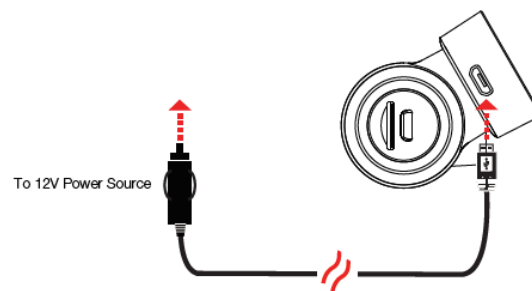
## 1 MOUNT

To install the **GPS Windshield Mount**, connect the dash cam onto the mount. Remove protective film from camera lens. Find the spot on your windshield where you would like to mount the camera and confirm the placement. Reminder, this is an adhesive mount, so it is important to mount correctly the first time. Next, peel the plastic film off the 3M adhesive and press the mount **FIRMLY** onto the windshield.



## 2 POWER

Plug one end of the supplied 12V Vehicle Power Adapter into your vehicle's cigarette lighter, and the other end into the micro USB port. The unit will automatically turn on and start recording. To manually power on the device **PRESS AND HOLD** the Power button until the LED's activate.



Note: A Hardwire Kit (CA-MicroUSB-001) is available at [www.cobra.com](http://www.cobra.com) for a more permanent installation that allows for discrete routing of the power cable and recording while your vehicle is off.

## 3 DRIVE!

The dashcam is designed for easy operation. After powering the camera will instantly begin loop recording. When the MicroSD Card is full the oldest footage will be deleted to make way for the new. If you witness something that you do not want deleted simply press the Emergency Record button and it will be saved.

# BASIC OPERATION

## POWERING ON THE DEVICE

The device will power on automatically when plugged in and can also be powered by **PRESSING AND HOLDING** the Multifunction button until the LED's activate (when connected to power).

## LOOP RECORDINGS:

Once the SD card is full, the camera will continuously overwrite the oldest footage recorded with recent recordings. To protect a clip so that it will not be overwritten, press the Multifunction button so that the clip is moved into the locked content partition.

## EMERGENCY RECORDINGS:

An Emergency Recording is triggered when the Multifunction button is pressed or when the G-Sensor registers a significant impact (hard braking or collision). Emergency Recordings create locked files that are not overwritten by Continuous Loop Recording. To ensure that important footage is not lost surrounding an incident, the prior video clip is locked if the incident happens within 30 seconds of the beginning or end of a clip.

## THE MICRO SD MEMORY CARD

The device comes with a Micro SD memory card. To remove the SD card, press firmly on the SD card to push it further into the slot. There will be a click and the SD card will pop out on release. Extract the card and replace as necessary by inserting a card into the slot and pressing until it locks in place. This camera is compatible with Micro SD cards up to 128GB. Please be sure to format the card in-camera before use. Class 10 high-endurance cards from reputable brands are recommended for constant video recording of a dash camera.

## VOLUME ADJUST

Models with LCD displays allow the user to select "Volume" in the setting menu to and adjust volume of notifications and voice announcements. Both products with LCD displays and without allow for volume adjustment using the Drive Smarter Mobile App.

## VOICE ANNOUNCEMENTS

Your SC 100 can warn you when you are approaching red-light and speed-cameras, user-reported police, radars detected in the area, accidents, and more using our mobile app. It will also use voice announcements to give you important camera system information.





# INITIAL SETUP

When first powered on, the device will show you the video stream and automatically begin loop recording. To adjust dash cam settings, you will need to connect to the Drive Smarter mobile app. **We strongly recommend to pair with the Drive Smarter App to download the latest firmware and adjust the camera's settings.** Please follow the directions below to pair the app with the camera.

## DRIVE SMARTER® APP CONNECTION

The SC100 uses a Bluetooth® connection to the Drive Smarter app. Smartphone integration allows for...

**Cloud Video Management:** Viewing your camera's footage from the phone without having to connect the camera or SD card to the computer. From here you can download videos and save them to your phone

**Live-View:** Viewing a live-stream into the camera when within proximity of the camera's WiFi network.

**MayDay:** Cobra's MayDay feature allows you create an emergency contact and auto-upload your location and MayDay notice when the camera's G-Sensor detects a severe impact/collision.

**Over-The-Air Firmware Updates:** Have the latest features and bug-fixes loaded to your camera via the mobile application.



DRIVE SMARTER



### CONNECTION INSTRUCTIONS

1. Start the Drive Smarter App and log in/create an account.
2. Follow the instructions in the Drive Smarter App to create a vehicle and connect the camera
3. When complete, a chime will sound on the camera and it will appear as **Connected** in the Drive Smarter App.

# iRADAR® APP CONNECTION

Connecting to the iRadar App enables your camera to receive real-time driver alerts about what is on the road ahead including.



Red Light  
Cameras



Live Police



Speed Cameras



Caution Areas



Speed Traps



## CONNECTION INSTRUCTIONS

For iPhone® 6s and later.

- Power on your dash cam and be sure that Bluetooth is enabled
- Make sure your iPhone's Bluetooth is ON. The dash cam will NOT APPEAR in the iPhone's Bluetooth Settings Menu.
- Start the Cobra iRadar App. Press the Menu button in the upper left of the app and select Devices. Follow the onscreen instructions to complete the pairing and connection.
- When complete, a "connected" chime will sound.

For Android™ Devices.

- Power on your dash cam.
- Enter your Android device's Bluetooth Settings Menu.
- Scan for Devices and select Drive HD to pair.
- Enter the Cobra iRadar App. A "connected" chime will sound.

# VIDEO SETTINGS

## **Video Resolution:**

This setting allows you to set the following resolutions on your SC 100. Higher resolutions will give you a clearer image but take up more space on the memory card.

The available resolutions are:

1080P Full HD	1920x1080 30 Frames per Second
720P HD	1280x720 60 Frames per Second
720P HD	1280x720 30 Frames per Second

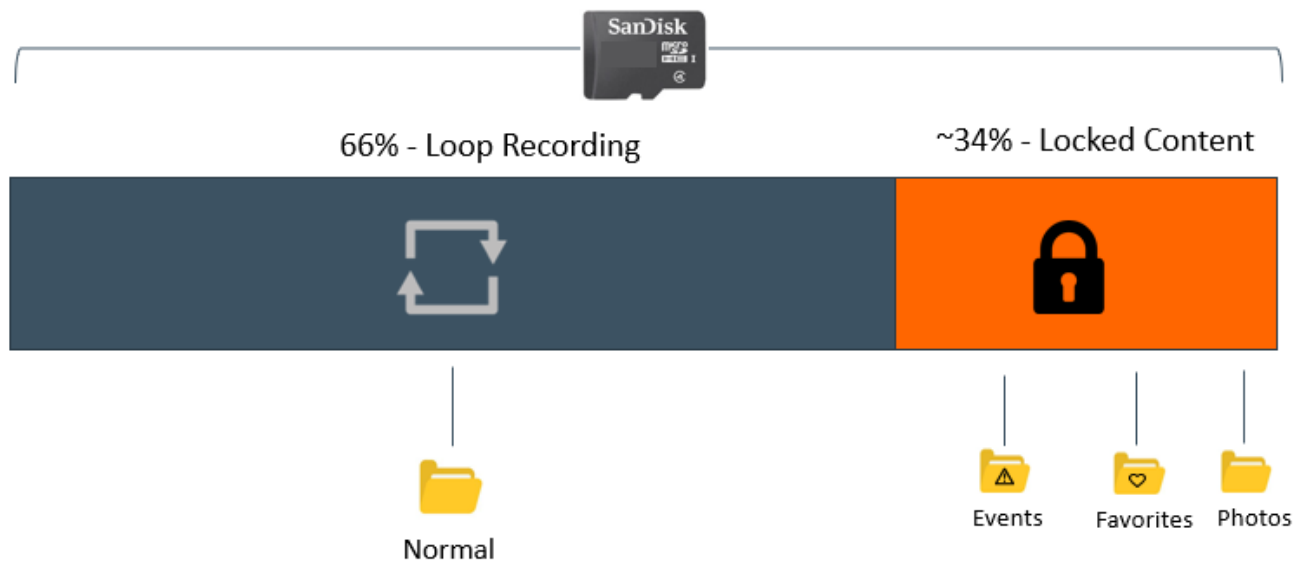
## **Loop Clip Time:**

This setting allows you to control the duration of each individual movie clip on the device. Video clips can be set to durations of 1 minutes, 2 minutes, or 3 minutes.

# VIDEO AND PHOTO PLAYBACK MODE

This device stores video and pictures on its removable Micro SD Card. You can view the camera's videos and photos using the Drive Smarter Mobile App or by removing the SD card and inserting into your PC.

# MEMORY CARD STORAGE



## LOOP RECORDINGS:

Once the SD card is full, the camera will continuously overwrite the oldest footage recorded with recent recordings. To protect a clip so that it will not be overwritten, press the **Multifunction button** while recording so that the clip is moved into the locked content partition.



## EMERGENCY RECORDINGS:

An Emergency Recording is triggered when the **Multifunction button** is pressed or when the G-Sensor registers a significant impact (hard braking or collision). Emergency Recordings create locked files that are not overwritten by Continuous Loop Recording. To ensure that important footage is not lost surrounding an incident, the prior video clip is locked if the incident happens within 30 seconds of the beginning or end of a clip.

## PHOTOS:

Photos are automatically saved in the Locked partition of the SD card.



**Once your Locked Content partition is full of Events, Favorites, and/or Photos you will be asked to “Format the SD Card” by the camera. You can do this by formatting the SD card on your PC or by using the Drive Smarter App. This will delete your Locked content and make space for new content. Please save all important footage by downloading via the Drive Smarter app or by manually uploading to your PC.**

# SAFETY FEATURES

The SC Series Dash Cams come with several safety features designed to protect you and your vehicle. You can adjust the level of protection that fits you via Drive Smarter App settings.

## **G-Sensor Impact Detection:**

The SC100 Dash Cam includes a built in G-Sensor which allows the device to determine when the car has been in a collision. If it detects a collision, it automatically locks the recording being made at the time of the accident. Additionally, if the event occurs within 30 seconds of the start or end of a clip, the adjacent recording will also be locked so you always have at least 30 seconds saved from before and after the event. You can use this setting to set the sensitivity of the G-Sensor from 1-3 or turn it off. Level 1 is the easiest to activate the G-sensor. Level 3 will only lock videos when the most severe impacts are detected. Locked videos created as a result of a G-sensor impact detection are stored in the Events folder on the SD card.

## **Parking Mode & Motion Detection:**

Parking Mode uses the Motion Sensor and G-Sensor to monitor while your vehicle is parked. The idea is that when you are parked, the dash cam will be “sleeping”, but it will monitor surroundings for motion along with G-Sensor impacts. If it detects motion or if it detects an impact, then the unit will wake up and start recording.

The camera will enter parking mode after 5 minutes. If there is no motion is during this period, the recording will stop (the camera monitors for g-sensor impacts or motion). If motion is detected or if a G-sensor impact above Level 1 is triggered, the unit will wake up and start saving **1 minute** clips for as long as activity is being detected.

### **Notes:**

- Parking Mode only works properly if the dash cam is powered. Either the Cigarette Lighter Socket must remain on with the ignition off, or the dash cam must be hardwired to a constant power source (use optional hardwire cord CA-MICROUSB-001).
- If you park where there is lots of activity which keeps triggering the motion sensor, then the unit might never time out and enter the sleep state. For this you can use the “Auto Surveillance Shutoff” setting to prevent unnecessary recording. If leaving your vehicle off for more than 48 hours (or less if your battery is old) please use the “Auto Surveillance Shutoff” setting to set a time-limit on Parking Mode and prevent your battery from being drained.
- You can choose to have your camera monitor for impacts and/or motion by controlling the ‘Parking Mode’ and ‘Motion Detection’ settings separately.

# GENERAL SETTINGS

## Video Resolution:

Allows you to select the desired video resolution for loop recordings and emergency videos. Lower resolution settings result in smaller file sizes, which results in more space on the SD card.

## Loop Clip Time:

Loop recordings and emergency videos can be saved in 1 min, 2 min, or 3 min clips depending on your preference. Smaller (1 min) files are easier to transfer to your phone and share.

## Wi-Fi:

Allows enabling/disabling WiFi connection on the device and viewing the camera's WiFi name and password.

## GPS:

GPS can be disabled if needed. Enabling this setting allows your recordings to have an exact GPS location stamped on the footage. This also always allows you to know the location of your vehicle if the camera is wired via a hardwire kit and connected to a WiFi hotspot is installed in the car.

## Date/Time:

- Enable "Automatic" mode to have date / time settings based on the camera's GPS signal. Having the correct date and time ensures that timestamps associated with your videos are accurate. In this mode, you will still have to ensure that you have picked the correct "Time Zone" and enabled or disabled "Daylight Savings" based on your location.
- To manually set the date and time, cursor down to "Manual", and select it. You will now be able to enter Date and Time information.

## Microphone:

Microphone can be enabled or disabled via settings or on the main screen. When disabled your recorded videos will be silent.

## Motion Detection:

Enabling Motion Detection allows your camera to monitor movement around the camera (changes in light) which can be used to record any suspicious activity around the vehicle when parked. This setting screen allows you to choose which of the available cameras should be used to monitor for activity. If leaving your vehicle off for more than 48 hours (or less if your battery is old) please use the "Auto Surveillance Shutoff" setting to set a time-limit on Motion Detection and prevent your battery from being drained.

Note: For Motion Detection to work the camera needs to be connected via hardwire kit (part: CA-MICROUSB-001) or be plugged into an 'always on' Cigarette Lighter Socket. You can check if your vehicle has an 'always on' CLA adapter online or in the vehicle's owner's manual.

### Parking Mode:

Enabling Parking Mode allows your camera to monitor for changes in its internal G-Sensor/accelerometer. Bumps, Collisions, and break-ins can trigger the G-Sensor to save valuable footage from the moment of impact. If leaving your vehicle off for more than 48 hours (or less if your battery is old) please use the “Auto Surveillance Shutoff” setting to set a time-limit on Motion Detection and prevent your battery from being drained.

Note: For Parking Mode to work the camera needs to be connected via hardwire kit (part: CA-MICROUSB-001) or be plugged into an ‘always on’ Cigarette Lighter Socket. You can check if your vehicle has an ‘always on’ CLA adapter online or in the vehicle’s owner’s manual.

### Surveillance Auto Shutoff:

If leaving your vehicle off for more than 48 hours (or less if your battery is old) please use the “Auto Surveillance Shutoff” setting to set a time-limit on Motion Detection and Parking Mode to prevent your battery from being drained.

### G-Sensor:

You can use this setting to set the sensitivity of the G-Sensor from 1-3 or turn it off. Level 1 is the easiest to activate the G-sensor. Level 3 is the setting which will only lock videos when the most severe impacts are detected. Level 1 is recommended for most users.

### Watermark (Date/Time, Speed, GPS, Driver ID Video Stamp)

The watermark settings allow you to toggle having the date/time, speed, GPS coordinates, the Cobra logo and a custom Driver ID be stamped into the bottom of all recorded video.

### Driver ID Watermark:

This setting allows you to associate a Driver ID with the camera (for example: John, Employee 12, etc). This allows you to set the name of the driver which will be stamped on the footage as part of the watermark.

### Exposure:

Allows you to adjust how light or dark videos and images will appear on the camera.

### Language:

This setting allows you to pick the on-screen language for the unit.

### iRadar Network Alerts:

This setting allows the user to program real-time driver alerts acquired from the iRadar network. Here you can choose to have the camera make a voice announcement when there is a red-light camera or speed-camera ahead. You can also choose to turn notifications from the unit off completely and simply follow along using the iRadar App.

### Drive Smarter Services:

These settings allow you to select which videos you would like auto-uploaded to the Drive Smarter App for sharing/review. You can also choose to have Incident Reports sent to your insurance provider, as well as Mayday alerts sent to your Emergency Contact if a severe G-Sensor event is detected.

### Speed Units

Choose between miles/hour or kilometers/hour as the speed unit stamped in the watermark.

### Volume:

Allows you to raise and lower the volume of notifications and button beeps from your camera.

### WDR:

Enabling Wide Dynamic Range allows your camera to accurately capture footage in very bright conditions. Enabling this feature is recommended for most recording conditions.

### GPS Format:

Choose between Decimals and Degrees as the GPS format that is stamped in the watermark.

### Frequency:

Choose between 50Hz and 60Hz as your operating frequency if you are experiencing flickering in your video.

### Format Reminder:

Choose the recurrence at which you are reminded to format the Micro SD card. Formatting the SD card frequently ensures your videos are protected and the SD card is saving content properly.

### Delete Videos Reminder:

Set this to be periodically reminded to free up locked video content so that the camera does not run out of "Emergency Recordings" and "Favorites" space.

### Restore Defaults:

Resets the device to factory settings. Note that restoring defaults will NOT erase data on your memory card.

### Format SD Card:

Allows you to format the inserted SD Card. NOTE: **This action will permanently delete all data on the card.** It is recommended to format any new card and periodically format existing cards.

### About

You can use this setting to view your cameras electronic serial number, manufacturer part number, and Firmware



# FIRMWARE UPDATES



Ensure the camera is connected to a constant power source during the update process. Failure to do so could result in your unit becoming non-functional. Your vehicles cigarette lighter socket or a household outlet work best

## Using the Drive Smarter App

- Power up your camera by connecting to constant power source such as your vehicles CLA adapter or a household outlet.
- When you **Connect** your camera, the app will check if a newer firmware update is available on the server.
- Press 'Download' on the notification to download the latest Firmware.
- Follow the instructions on the Drive Smarter Mobile Application. If successful, the camera's LED's will begin blinking while the firmware is being installed.
- To check that the Firmware update was successful, you can check the 'About' screen in your camera's settings menu

## Using a Mac or PC

For optimal performance, check [www.cobra.com](http://www.cobra.com) periodically for software updates.

- Connect the Dash Cam to your computer using the included USB to Micro-USB cable.
- The camera will be listed in Windows Explorer/Finder.
- Download the update file from [www.drivesmarter.com](http://www.drivesmarter.com) and save it to your computer. It will end with ".bin" as the file extension. **Note:** You do not need to double click or open this file on the computer.
- Copy/paste or drag the update file you downloaded .bin file into the root directory of the Camera's SD Card.
- Wait for the file to transfer and then safely disconnect the Dash Cam from the computer. The Dash Cam will turn off.
- Plug the Micro USB cord into a reliable power source such as your home's outlet or your vehicle's CLA adapter. The Dash Cam will turn on and automatically boot into the Firmware Update Menu.
- Follow the directions on the camera display to update firmware if the unit has one. Units without displays will update automatically.
- You can check if your camera is up to date by checking the firmware in your camera's 'About' setting submenu in the camera or via the app.

# CAMERA SPECIFICATIONS



Features / Models	SC 100	SC 201	SC 200	SC 200D	SC 400	SC 400D
Video Resolution*	1080P Full HD	1080P Full HD Front & Rear	QHD	QHD Front Cam, Full HD Rear Cam	4K UHD	4K UHD Front Cam, Full HD Rear Cam
Dual Band Wi-Fi	✓	✓	✓	✓	✓	✓
Embeds Time and Location on Video	✓	✓	✓	✓	✓	✓
Live Remote Monitoring	✓	✓	✓	✓	✓	✓
iRadar® App Connectivity for Real-Time Driver Alerts	✓	✓	✓	✓	✓	✓
Dual View Camera		Front & Cabin	Optional Flex Cams*	Front & Rear	Optional Flex Cams*	Front & Rear
Field of View	140°	140° Front/120° Cabin	140°	140° Front/140° FlexView Rear and Cabin	140°	140° Front/140° FlexView Rear and Cabin
Display	None	2" LCD	3" LCD	3" LCD	3" OLED Touch Screen	3" OLED Touch Screen
Voice Commands			✓	✓	✓	✓
Amazon Alexa					✓	✓
Optional Flex Cams Include Rear View & In-Cabin Cameras Available for SC 200, SC 200D, SC 400 and SC 400D						

# TROUBLESHOOTING

If your unit does not appear to be operating properly, please follow these troubleshooting steps:

- Make sure the power cord is properly connected.
- Make sure the socket of your vehicle’s cigarette lighter is clean and free of corrosion.
- Make sure the power cord’s cigarette lighter adapter is firmly seated in your cigarette lighter
- Make sure you have downloaded the latest firmware to your unit

## FAQ

- Where do I mount/position my Dash Camera on the windshield?
  - a. Power on your dash cam so you can see the camera’s view while mounting. We recommend centering your camera and mounting under the rear-view mirror.  
If your unit has a display, you can use the Camera’s “Calibrate” feature found in the ADAS menu to line up your view. SC100 users can use the Drive Smarter app to get a live-view of what the camera is seeing to help with mounting.
- What is the largest MicroSD card size I can use in my camera?
  - a. We recommend using a Class 10 Micro SD card from a reputable vendor up to the following sizes.

Model	SC100	SC201	SC200
Max SD Card Size	128GB	256GB	256GB

- Why is my unit not powering up?
  - a. Please ensure your unit is properly connected. If you have turned the unit off, *press and hold* the power button to turn on again.  
If you are using Parking Mode and Motion Detection Mode with a hardwire kit, the unit might not “wake up” when you enter. Simply begin driving and when your unit detects this it will wake up and begin recording.
- Why do recordings of the cabin/vehicle’s interior appear black and white?
  - o This is normal operation of the Infrared LED night-vision camera. Infrared recording allows the camera to accurately record your vehicle’s cabin in low-light conditions. You can turn Infrared recordings off in the settings menu.
- How do I use Parking Mode and Motion Detection?
  - a. Parking Mode and Motion Detection can be turned on in the camera’s settings. These two features will monitor your vehicle automatically when the unit is connected directly to the car’s vehicle via hardwire kit (part CA-MICROUSB-001 available at [www.cobra.com](http://www.cobra.com)).  
Note: When the car is parked your unit will go into a low-power “standby”/sleeping state where it monitors for activity. The unit will automatically wake up when it detects significant motion or driving.
- Why is my unit not getting a GPS Lock (GPS icon is red)?
  - a. The GPS inside the device locks in with the satellite best when you are on the road. You may not be able to get a GPS lock while in your garage, parking structures, or if testing the camera in your home.

# TRADEMARKS ACKNOWLEDGEMENT, WARNINGS, and REGULATORY INFORMATION

Cobra and the snake design are proprietary trademarks of Cobra Electronics Corporation, USA. Other trademarks and trade names are those of their respective owners.

Cobra Electronics Corporation™ is a trademark of Cobra Electronics Corporation, USA.

The Bluetooth® word mark is a registered trademark owned by Bluetooth SIG, Inc. and any use of such marks by Cobra Electronics Corporation is under license. Other trademarks and trade names are those of their respective owners.

The Driver Awareness Alert display feature is subject to US Patent Numbers 8,842,004 and 8,970,422 and additional pending US Patent Applications.

Warning ! The forward collision warning system (FCWS) feature, when turned on, is for limited informational purposes only. The FCWS does NOT replace a driver's responsibility to use safe driving judgment, comply with all traffic regulations and observe all road and driving conditions at all times. The FCWS uses the camera to provide a warning of upcoming vehicles [and large objects] and, as a result, may have reduced or no functionality in low visibility or certain weather conditions.

Driver is responsible for the safe operation and control of the vehicle. Do not substitute your driving judgment with the information provided by this feature. Cobra disclaims liability for injuries, damages, or death arising from use of this feature.

Warning ! The Lane Departure Warning System (LDWS) feature, when turned on, is for limited informational purposes only. The LDWS does NOT replace a driver's responsibility to use safe driving judgment, comply with all traffic regulations and observe all road and driving conditions at all times. The LDWS uses the camera to provide a determine if the vehicle is drifting toward or departing from designated lane markings and, as a result, may have limited functionality in low visibility or certain weather conditions or when driving on unmarked or poorly marked roads."

Driver is responsible for the safe operation and control of the vehicle. Do not substitute your driving judgment with the information provided by this feature. Cobra disclaims liability for injuries, damages, or death arising from use of this feature.

NOTE: This device complies with part 15 of FCC rules: Operation is subject to the following two conditions: (1) This device may not cause harmful interference, and (2) This device must accept any interference received including interference that may cause undesired operation.

CAUTION: Modifications or parts not approved by Cobra Electronics Corporation may violate FCC Rules and void authority to operate this equipment. This device complies with RSS-310 of Industry Canada. Operation is subject to the condition that this device does not cause harmful interference.

CAN ICES-3B/NMB-3B.

DISPOSAL OF ELECTRONICS EQUIPMENT: This product may contain hazardous substances that could impact health and the environment if not disposed of properly.

The crossed out wheeled bin symbol indicates that the product should not be disposed of along with household waste. It should be handed over to an applicable collection point for the recycling of electrical equipment. By ensuring that this product is disposed of correctly you will help/prevent potential negative impact on the environment.

If you need more information on the collection, reuse and recycling systems, please contact your local civic office or the shop where it was originally purchased.





Caméra embarquée intelligente à  
simple objectif

# SOMMAIRE

SOMMAIRE.....	2
INTRODUCTION.....	3
FONCTIONNALITÉS DE LA CAMÉRA EMBARQUÉE SC 100 .....	3
SERVICE ET ASSISTANCE PRODUIT .....	4
DANS LA BOÎTE.....	4
ACCESSOIRES EN OPTION – disponibles sur <a href="http://www.cobra.com">www.cobra.com</a> .....	5
INTERFACE MATÉRIELLE .....	6
INSTALLATION .....	7
FONCTIONNEMENT DE BASE .....	8
CONFIGURATION INITIALE .....	9
CONNEXION À L'APPLICATION DRIVE SMARTER® .....	9
CONNEXION À L'APPLICATION IRADAR® .....	10
PARAMÈTRES VIDÉO .....	11
MODE LECTURE PHOTO ET VIDÉO .....	11
STOCKAGE SUR LA CARTE SD .....	14
FONCTIONS DE SÉCURITÉ .....	16
PARAMÈTRES GÉNÉRAUX .....	17
MISES À JOUR DU FIRMWARE .....	21
SPÉCIFICATIONS DE LA CAMÉRA.....	22
GUIDE DE DÉPANNAGE.....	23
FAQ.....	23
RECONNAISSANCE DES MARQUES DÉPOSÉES, AVERTISSEMENTS et INFORMATIONS RÉGLEMENTAIRES ..	24

# INTRODUCTION

Félicitations ! Vous avez fait le bon choix en achetant une caméra embarquée de la série SC de Cobra. Les caméras de la série SC vous permettent de garder l'esprit tranquille en enregistrant votre trajet en continu avec une superbe qualité vidéo HD. Grâce à leurs fonctionnalités de pointe, leur qualité vidéo phénoménale et une conception fondée sur l'expérience utilisateur, les caméras embarquées SC sont la meilleure solution pour enregistrer votre trajet. Ce manuel de l'utilisateur porte sur le modèle SC 100.

## FONCTIONNALITÉS DE LA CAMÉRA EMBARQUÉE SC 100

### **Objectif avant**

Qualité 1080P Full HD

### **Wi-Fi bbande**

Connectivité sans faille

### **Alertes conducteur instantanées**

Feux rouges et radars, police et alertes radar communautaires

### **140°**

Champ de vision

### **GPS intégré**

Informations sur la vitesse et le lieu

### **Comprend**

Une carte SD 8 Go

# SERVICE ET ASSISTANCE PRODUIT

Pour toute question relative à l'utilisation ou à l'installation de ce nouveau produit Cobra, VEUILLEZ D'ABORD CONTACTER COBRA, ne renvoyez pas ce produit au revendeur. Les coordonnées de Cobra varient selon le pays dans lequel vous avez acheté et utilisez ce produit. Pour obtenir les coordonnées à jour, veuillez consulter le site [www.cobra.com/support](http://www.cobra.com/support).

## DANS LA BOÎTE

### Ce qui est inclus :

- Caméra embarquée SC 100
- Carte MicroSD 8 Go
- Support GPS
- Chargeur de voiture
- Câble de données Micro-USB
- Guide de démarrage rapide



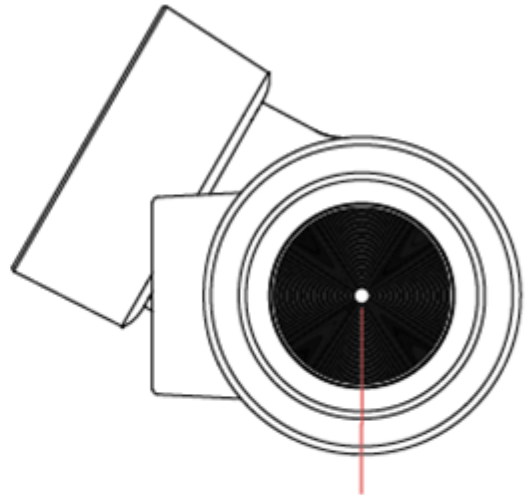
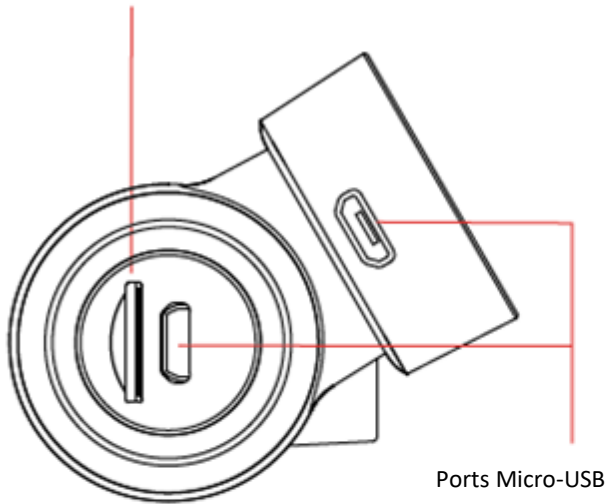


## ACCESSOIRES EN OPTION – disponibles sur [www.cobra.com](http://www.cobra.com)

- Kit de connexion : **CA-MICROUSB-001** – Permet de raccorder votre caméra embarquée directement dans le boîtier à fusible pour une installation propre, sans fils qui dépassent

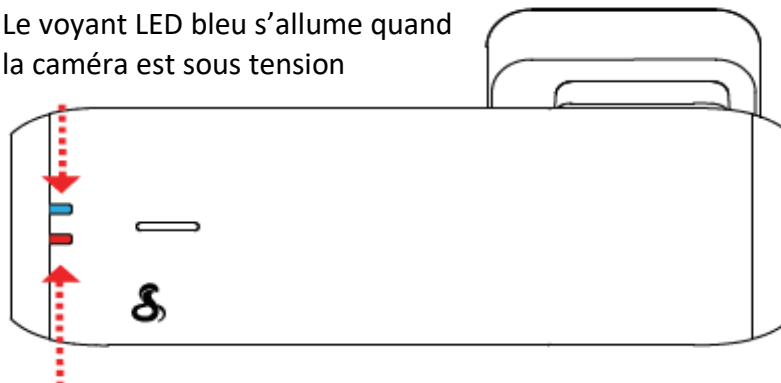
# INTERFACE MATÉRIELLE

Port pour carte Micro SD



Interaction avec le bouton	Action de la caméra
Appuyer sur le bouton et le maintenir enfoncé 3 secondes	Allumer/Éteindre
Appuyer brièvement (hors enregistrement)	Commencer l'enregistrement
Appuyer brièvement (pendant l'enregistrement)	Verrouiller la vidéo
Appuyer brièvement 2 fois	Prendre une photo
Appuyer sur le bouton et le maintenir enfoncé 10 secondes	Réinitialiser

Le voyant LED bleu s'allume quand la caméra est sous tension

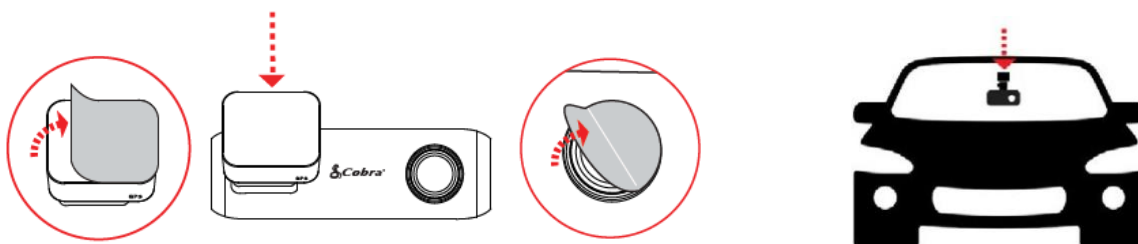


Le voyant rouge clignote quand la caméra enregistre

# INSTALLATION

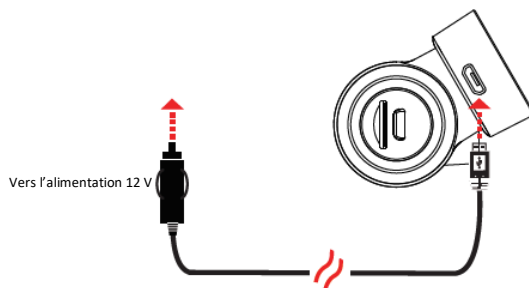
## 1 SUPPORT

Pour installer le **support GPS sur pare-brise**, placez la caméra sur le support. Retirez le film de protection de l'objectif de la caméra. Choisissez l'endroit où installer la caméra sur le pare-brise. Rappel : ce support est adhésif, il est donc important de l'installer au bon endroit du premier coup. Ensuite, retirez le film plastique de l'adhésif 3M, appliquez-le sur le pare-brise et appuyez **FERMEMENT**.



## 2 ALIMENTATION

Branchez une extrémité de l'adaptateur 12 V sur l'allume-cigare de votre voiture, et l'autre extrémité sur le port micro USB. L'appareil s'allume automatiquement et commence à enregistrer. Pour allumer l'appareil manuellement **APPUYEZ SUR LE BOUTON MARCHÉ ET MAINTENEZ-LE ENFONCÉ** jusqu'à ce que le voyant s'allume.



Remarque : Un kit (CA-MicroUSB-001) est disponible sur [www.cobra.com](http://www.cobra.com) pour une installation plus permanente qui évite d'avoir un câble qui pend et qui permet d'enregistrer quand votre véhicule est éteint.

## 3 CONDUISEZ !

Cette caméra embarquée est conçue pour être utilisée facilement. Une fois allumée, la caméra commence instantanément à enregistrer en boucle. Quand la carte MicroSD est pleine, les enregistrements les plus anciens sont écrasés pour faire de la place aux nouveaux. Si vous voyez quelque chose que vous ne voulez pas effacer, appuyez sur le bouton d'enregistrement d'urgence pour le sauvegarder.

# FONCTIONNEMENT DE BASE

## ALLUMER L'APPAREIL

L'appareil s'allume automatiquement quand il est branché, il peut aussi être allumé en **APPUYANT SUR LE BOUTON MULTIFONCTION ET EN LE MAINTENANT ENFONCÉ** jusqu'à ce que le voyant LED s'allume (quand l'appareil est sous tension).

## ENREGISTREMENTS EN BOUCLE :

Quand la carte SD est pleine, la caméra écrase en permanence les enregistrements les plus anciens avec les enregistrements récents. Pour protéger une séquence afin qu'elle ne soit pas écrasée, appuyez sur le bouton multifonction pour déplacer la séquence dans la partition verrouillée.

## ENREGISTREMENTS D'URGENCE :

Un enregistrement d'urgence est déclenché quand vous appuyez sur le bouton multifonction ou quand le capteur G détecte un impact important (freinage sec ou collision). L'enregistrement d'urgence crée des fichiers verrouillés qui ne sont pas écrasés par l'enregistrement en boucle. Pour être sûr que des enregistrements importants avant et après un incident ne sont pas perdus, la séquence adjacente est verrouillée si l'incident survient à moins de 30 secondes du début ou de la fin d'une séquence.

## CARTE MÉMOIRE MICRO SD

L'appareil est livré avec une carte Micro SD. Pour retirer la carte Micro SD, appuyez fermement sur celle-ci pour la pousser plus profondément dans la fente. Vous allez entendre un clic et la carte sortira quand vous retirerez votre doigt. Sortez la carte et remplacez-la si vous le souhaitez en insérant une carte dans la fente et en la poussant jusqu'à ce qu'elle soit enclenchée. La caméra est compatible avec des cartes Micro SD de 128 Go. N'oubliez pas de formater la carte dans la caméra avant de l'utiliser. Il est recommandé d'utiliser des cartes SD de classe 10, haute-résistance et d'une marque réputée pour enregistrer en continu.

## RÉGLAGE DU VOLUME

Les modèles avec écrans LCD permettent à l'utilisateur de sélectionner « Volume » dans le menu réglage et de régler le volume des notifications et des annonces vocales. Il est possible de régler le volume des appareils avec et sans écran LCD à l'aide de l'application mobile Drive Smarter.

## ANNONCES VOCALES

Votre SC 100 peut vous avertir quand vous approchez d'un feu rouge ou d'un radar, d'un barrage de police signalé par un utilisateur, de radars détectés dans la zone, d'accidents et plus en utilisant notre application mobile. Il fait également des annonces vocales pour donner des informations importantes.



# CONFIGURATION INITIALE

À la mise en route, l'appareil affiche le flux vidéo et commence l'enregistrement en boucle. Pour ajuster les paramètres de la caméra embarquée, vous devez vous connecter à l'application mobile Drive Smarter. **Nous vous recommandons vivement de connecter la caméra à l'application Drive Smarter pour télécharger le dernier firmware et ajuster les paramètres de la caméra.** Veuillez suivre les instructions ci-dessous pour connecter la caméra à l'application.

## CONNEXION À L'APPLICATION DRIVE SMARTER®

La SC100 est connectée à l'application Drive Smarter via Bluetooth®. L'intégration au smartphone permet...

**Gestion vidéo dans le cloud :** Visionnez les vidéos enregistrés par votre caméra sur votre téléphone sans avoir besoin de connecter la caméra ou la carte SD à votre ordinateur. Depuis l'application, vous pouvez télécharger des vidéos et les enregistrer sur votre téléphone.

**Affichage en direct :** Vous pouvez regarder en direct ce que la caméra enregistre quand votre téléphone est à proximité du réseau Wi-Fi de la caméra.

**MayDay :** La fonction MayDay de Cobra vous permet de créer un contact d'urgence et d'envoyer automatiquement votre position et la notification MayDay lorsque le capteur G de la caméra détecte un impact ou une collision grave.

**Mise à jour sans fil du firmware :** Les nouvelles fonctions et les patches peuvent être envoyés directement à votre caméra depuis votre téléphone portable.



DRIVE SMARTER



### INSTRUCTIONS DE CONNEXION

1. Lancez l'application Drive Smarter et connectez-vous ou créez un compte.
2. Suivez les instructions de l'application Drive Smarter pour créer un véhicule et connecter la caméra
3. Une fois la connexion établie, vous entendrez une sonnerie et la caméra apparaîtra comme **Connectée** dans l'application Drive Smarter.

# CONNEXION À L'APPLICATION iRADAR®

La connexion à l'application iRadar permet à votre caméra de recevoir des alertes en temps réel sur ce qui se passe sur la route, y compris :



Caméras de feux rouges



Interventions de police



Radars fixes



Zones de danger



Radars mobiles



## INSTRUCTIONS DE CONNEXION

Pour iPhone® 6s et plus récents.

- Allumez votre caméra embarquée et vérifiez que le Bluetooth est activé
- Vérifiez que le Bluetooth de l'iPhone est activé. La caméra embarquée N'APPARAÎT PAS dans le menu de configuration Bluetooth de l'iPhone.
- Lancez l'application Cobra iRadar. Appuyez sur le bouton en haut à gauche de l'application et sélectionnez Appareils. Suivez les instructions affichées à l'écran pour effectuer la connexion.
- Une fois la connexion établie, vous entendrez une sonnerie.

Pour les téléphones Android™.

- Allumez votre caméra embarquée.
- Allez au menu Paramètres Bluetooth de votre téléphone Android.
- Recherchez les appareils disponibles et sélectionnez Drive HD pour effectuer l'appairage.
- Allez dans l'application Cobra iRadar. Vous entendrez une sonnerie indiquant la connexion.

# PARAMÈTRES VIDÉO

## Résolution vidéo :

Ce paramètre vous permet de régler la résolution vidéo de votre SC 100. Une résolution plus élevée donne une image plus nette, mais prend plus de place sur la carte SD.

Les résolutions disponibles sont :

1080P Full HD	1920 x 1080 30 images par seconde
720P HD	1280 x 720 60 images par seconde
720P HD	1280 x 720 30 images par seconde

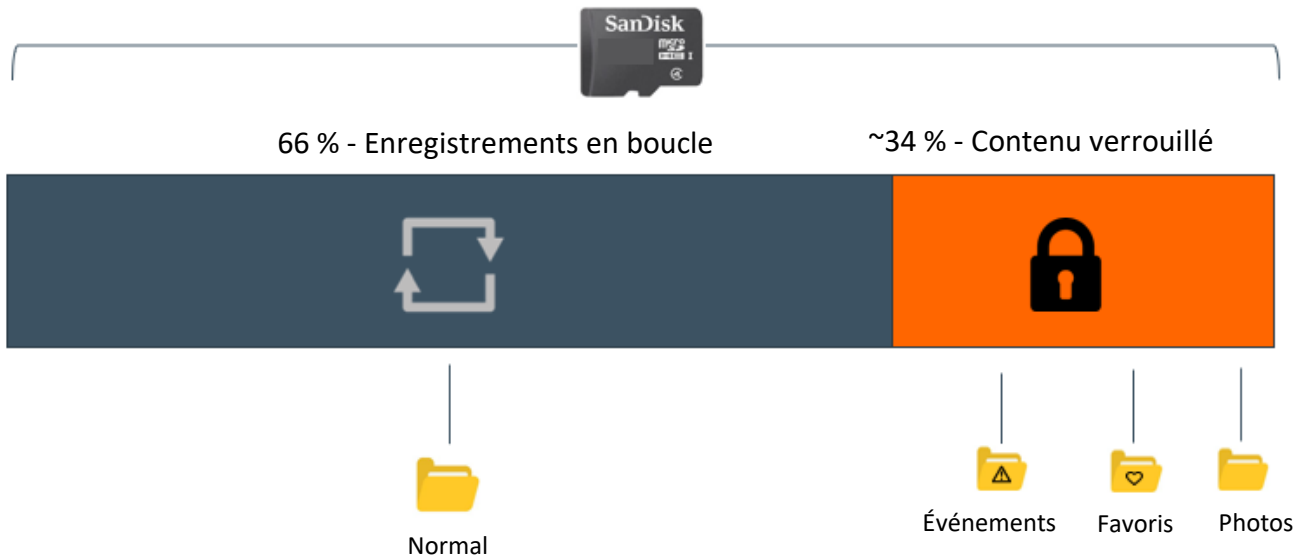
## Temps de la séquence :

Ce paramètre vous permet de contrôler la durée de chaque séquence enregistrée. Le temps de séquence peut être réglé sur 1 minute, 2 minutes ou 3 minutes.

# MODE LECTURE PHOTO ET VIDÉO

L'appareil enregistre des vidéos et des photos sur sa carte SD amovible. Vous pouvez afficher les vidéos et les photos prises par l'appareil à l'aide de l'application mobile Drive Smarter ou en retirant la carte SD et en l'insérant dans votre PC.

# STOCKAGE SUR LA CARTE SD



## ENREGISTREMENTS EN BOUCLE :

Quand la carte SD est pleine, la caméra écrase en continu les enregistrements les plus anciens avec les enregistrements récents. Pour protéger une séquence afin qu'elle ne soit pas écrasée, appuyez sur le **bouton multifonction** pendant l'enregistrement pour déplacer la séquence dans la partition verrouillée.



## ENREGISTREMENTS D'URGENCE :

Un enregistrement d'urgence est déclenché quand vous appuyez sur le **bouton multifonction** ou quand le capteur G détecte un impact important (freinage sec ou collision). L'enregistrement d'urgence crée des fichiers verrouillés qui ne sont pas écrasés par l'enregistrement en boucle. Pour être sûr que des enregistrements importants avant et après un incident ne sont pas perdus, la séquence adjacente est verrouillée si l'incident survient à moins de 30 secondes du début ou de la fin d'une séquence.

## PHOTOS :

Les photos sont enregistrées automatiquement dans la partition verrouillée de la carte SD.



Une fois que votre partition de contenu verrouillé est pleine d'événements, de favoris et/ou de photos, la caméra va vous demander de « Formater la carte SD ». Vous pouvez faire cela en formatant la carte SD sur votre ordinateur ou en utilisant l'application Drive Smarter. Ceci va effacer votre contenu verrouillé et faire de la place pour de nouveaux contenus. Veuillez enregistrer toutes les vidéos et photos importantes en les téléchargeant via l'application Drive Smarter ou les transférant manuellement sur votre ordinateur.



# FONCTIONS DE SÉCURITÉ

Les caméras de la série SC comportent plusieurs fonctions de sécurité conçues pour vous protéger, vous et votre véhicule. Vous pouvez ajuster le niveau de protection qui vous convient via le menu Paramètres de l'application Drive Smarter.

## Capteur G de détection des impacts :

La caméra embarquée SC100 comprend un capteur G intégré qui permet à l'appareil de déterminer quand la voiture a été impliquée dans une collision. Si le capteur détecte une collision, il verrouille automatiquement l'enregistrement effectué au moment de l'accident. De plus, si l'événement survient dans les 30 secondes du début d'une séquence, la séquence adjacente sera également verrouillée pour que vous ayez toujours un enregistrement des 30 secondes avant et après l'événement. Vous pouvez utiliser cette fonction pour régler la sensibilité du capteur G entre 1 et 3, ou l'éteindre. Avec le niveau 1, le capteur G se déclenche aisément. Avec le niveau 3, la vidéo est verrouillée seulement quand un choc très important est ressenti. Les vidéos verrouillées suite à une détection d'impact par le capteur G sont enregistrées dans le dossier événements de la carte SD.

## Mode parking et détection de mouvement :

Le mode Parking utilise le capteur de mouvement et le capteur G pour surveiller votre véhicule pendant qu'il est stationné. L'idée est que la caméra sera en veille lorsque vous êtes stationné, mais elle va rester à l'affût des mouvements et des impacts. Si elle détecte un mouvement ou un impact, elle va sortir du mode veille et commencer à enregistrer.

La caméra se met en mode parking quand le véhicule est immobile depuis 5 minutes. S'il n'y a pas de mouvements pendant cette période, l'enregistrement s'arrête (la caméra continue de surveiller les impacts et mouvements avec les capteurs). Si un mouvement supérieur au niveau 1 est détecté par le capteur G, la caméra sort de veille et commence à enregistrer des séquences d'**une minute** tant que l'activité est détectée.

### Remarques :

- Le mode parking fonctionne correctement seulement si la caméra embarquée est sous tension. Soit l'allume-cigare doit rester allumé quand le contact est coupé, soit la caméra embarquée doit être connectée à une source d'alimentation continue (utilisez le système de connexion en option CA-MICROUSB-001).
  - Si vous vous gardez à un endroit où il y a beaucoup d'activités qui déclenchent souvent le capteur de mouvements, il est possible que l'appareil ne se mette jamais en veille. Vous pouvez utiliser le paramètre « Arrêt de la surveillance automatique » pour éviter les enregistrements inutiles.
- Si vous laissez votre véhicule pour plus de 48 heures (ou moins si votre batterie est vieille) utilisez le paramètre « Arrêt de la surveillance automatique » pour limiter le mode Parking dans le temps et éviter de vider votre batterie.
- Vous pouvez choisir de faire surveiller les impacts et/ou les mouvements en contrôlant le « Mode Parking » et la « Détection de Mouvement » séparément.

# PARAMÈTRES GÉNÉRAUX

## Résolution vidéo :

Ce paramètre vous permet de sélectionner la résolution vidéo souhaitée pour l'enregistrement en boucle et les vidéos d'urgence. Si la résolution choisie est faible, la taille des fichiers est moindre, ce qui laisse plus de place sur la carte SD.

## Temps de la séquence :

Les enregistrements en boucle et les vidéos d'urgence seront enregistrés en séquence de 1, 2 ou 3 minutes, selon ce que vous avez choisi. Les fichiers plus petits (1 minute) sont plus faciles à transférer vers votre téléphone et à partager.

## Wi-Fi :

Ce paramètre permet d'activer / désactiver la connexion Wi-Fi de l'appareil et d'afficher le nom et le mot de passe du Wi-Fi de la caméra.

## GPS :

Le GPS peut être désactivé au besoin. L'activation de ce paramètre permet d'intégrer l'emplacement GPS exact à vos enregistrements. Cela permet également de connaître l'emplacement de votre véhicule si la caméra est connectée avec le kit d'installation et qu'elle est connectée à un hotspot Wi-Fi installé dans la voiture.

## Date et heure :

- Activez le mode « Automatique » pour que les paramètres de date et d'heure soient tirés directement du signal GPS. La date et l'heure doivent être paramétrées correctement pour que l'horodatage des vidéos soit correct. Dans ce mode, vous devrez vérifier que vous avez sélectionné le bon « Fuseau horaire » et activé ou désactivé l'option « Heure d'été » en fonction de là où vous êtes.
- Pour régler l'heure et la date manuellement, placez le curseur sur « Manuel » et sélectionnez. Vous pouvez maintenant saisir l'heure et la date.

## Microphone :

Le microphone peut être activé ou désactivé dans les paramètres ou sur l'écran principal. Quand il est désactivé, vos vidéos seront enregistrées sans audio.

## Détection des mouvements :

Activer le détecteur de mouvement permet à votre caméra de surveiller les mouvements aux alentours (changements de lumière) et d'enregistrer les activités suspectes autour de votre véhicule stationné. Vous pouvez choisir dans l'écran de paramétrage laquelle des caméras disponibles doit être utilisée pour surveiller les activités. Si vous laissez votre véhicule pour plus de 48 heures (ou moins si votre batterie est vieille) utilisez le paramètre « Arrêt de la surveillance automatique » pour limiter la détection de mouvement dans le temps et éviter de vider votre batterie.

Remarque : Pour que la détection des mouvements fonctionne, la caméra doit être connectée avec le kit de connexion (pièce : CA-MICROUSB-001) ou être branchée dans un allume-cigare qui est toujours sous tension. Vous pouvez vérifier si votre véhicule est équipé d'un adaptateur CLA « toujours activé » en ligne ou dans le manuel du propriétaire du véhicule.

### Mode Parking :

Activer le mode Parking permet à votre caméra de surveiller les changements perçus par le capteur G / l'accéléromètre interne. Les chocs, les collisions et les effractions peuvent déclencher le capteur G pour enregistrer des images précieuses dès le moment de l'impact. Si vous laissez votre véhicule pour plus de 48 heures (ou moins si votre batterie est vieille) utilisez le paramètre « Arrêt de la surveillance automatique » pour limiter la détection de mouvement dans le temps et éviter de vider votre batterie.

Remarque : Pour que le mode Parking fonctionne, la caméra doit être connectée avec le kit (pièce n° : CA-MICROUSB-001) ou être branchée dans un allume-cigare qui est toujours sous tension. Vous pouvez vérifier si votre véhicule est équipé d'un adaptateur CLA « toujours activé » en ligne ou dans le manuel du propriétaire du véhicule.

### Coupe automatique de la surveillance :

Si vous laissez votre véhicule pour plus de 48 heures (ou moins si votre batterie est vieille) utilisez le paramètre « Arrêt de la surveillance automatique » pour limiter la détection de mouvement et le mode Parking dans le temps et éviter de vider votre batterie.

### Capteur G :

Vous pouvez utiliser cette fonction pour régler la sensibilité du capteur G entre 1 et 3, ou l'éteindre. Avec le niveau 1, le capteur G se déclenche aisément. Le réglage du niveau 3 permet de verrouiller la vidéo seulement quand un choc très important est ressenti. Le niveau 1 est recommandé pour la plupart des utilisateurs.

### Filigane (Date/heure, GPS, Identifiant du conducteur)

Les paramètres de filigrane vous permettent de configurer la date/l'heure, la vitesse, les coordonnées GPS, le logo Cobra et l'identifiant du conducteur qui seront estampés en bas de toutes les vidéos enregistrées.

### Filigane d'identification du conducteur :

Ce paramètre vous permet d'associer un Identifiant du conducteur à la caméra (par exemple : John, Employé 12, etc.). Ceci vous permet de configurer le nom du conducteur qui sera indiqué dans le filigrane sur vos enregistrements.

### Exposition :

Ce paramètre permet d'ajuster la luminosité des photos et des vidéos.

### Langue :

Ce paramètre vous permet de sélectionner la langue affichée à l'écran.

### Alertes réseau iRadar :

Ce paramètre permet à l'utilisateur de programmer des alertes en temps réel relayées du réseau iRadar. Ici vous pouvez choisir de demander à la caméra de faire une annonce vocale à l'approche d'une caméra de feu rouge ou d'un radar. Vous pouvez également choisir d'éteindre les notifications de la caméra complètement et de les suivre seulement avec l'application iRadar.

### Services Drive Smarter :

Ces paramètres vous permettent de sélectionner les vidéos que vous souhaitez envoyer automatiquement à l'application Drive Smarter pour les partager ou les visionner. Vous pouvez également choisir d'envoyer les rapports d'incident à votre assureur, ainsi que les alertes MayDay à votre contact d'urgence si le capteur G ressent un choc important.

### Unités de vitesse :

Choisissez entre les miles/h ou les km/h. Ce paramètre détermine comment votre vitesse est indiquée dans le filigrane de vos enregistrements.

### Volume :

Ce paramètre vous permet de baisser ou augmenter le volume des notifications et du bip du bouton de votre caméra.

### WDR :

Activer la fonction WDR (Wide Dynamic Range / Plage dynamique étendue) permet à votre caméra de filmer des images nettes, même dans des conditions très lumineuses. Il est recommandé d'activer cette fonction pour la plupart des conditions d'enregistrement.

### Format GPS :

Choisissez entre les décimales et les degrés pour le format GPS qui va figurer dans le filigrane.

### Fréquence :

Choisissez une fréquence de fonctionnement de 50 ou 60 Hz si vous rencontrez un problème de papillotement.

### Rappel de formatage :

Choisissez la fréquence à laquelle vous souhaitez être rappelé de formater la carte Micro SD. Le formatage fréquent de la carte SD garantit que vos vidéos sont protégées et que la carte SD enregistre correctement le contenu.

### Rappel d'effacement des vidéos :

Réglez ce paramètre pour être rappelé périodiquement d'effacer du contenu vidéo verrouillé pour que la caméra ne manque pas d'espace pour les « Enregistrements d'urgence » et les « Favoris ».

### Restaurer les paramètres par défauts :

Ce paramètre permet de réinitialiser les paramètres de votre caméra aux paramètres d'usine. Veuillez noter que réinitialiser les paramètres de votre caméra aux paramètres d'usine n'efface pas les données enregistrées sur la carte SD.

### Formater la carte SD :

Cette fonction vous permet de formater la carte SD insérée dans l'appareil. REMARQUE : **Cette action va effacer définitivement toutes les données enregistrées sur la carte.** Il est recommandé de formater toutes les nouvelles cartes et de formater régulièrement les cartes existantes.

### À propos

Ce paramètre vous permet d'afficher le numéro de série, le numéro de pièce et la version du firmware de votre caméra.

# MISES À JOUR DU FIRMWARE



Vérifiez que la caméra est connectée à une source d'alimentation constante pendant la mise à jour. Si l'alimentation n'est pas constante, votre appareil peut ne plus fonctionner. L'allume-cigare de votre véhicule ou une prise électrique à la maison fonctionnent bien.

## Utiliser l'application Drive Smarter

- Allumez votre caméra en la connectant à une source d'alimentation constante comme l'adaptateur CLA de votre véhicule ou une prise électrique à la maison.
- Quand vous **Connectez** votre caméra, l'application va vérifier si une version plus récente du firmware est disponible sur le serveur.
- Appuyez sur « Télécharger » dans la notification pour télécharger la dernière version du Firmware.
- Suivez les instructions dans l'application mobile Drive Smarter. Si le téléchargement est réussi, le voyant LED de la caméra va clignoter pendant l'installation de la mise à jour.
- Pour vérifier si la mise à jour est réussie, vous pouvez aller à la page « À propos » dans le menu de la caméra.

## Utiliser un Mac ou un PC

Pour une meilleure performance, consultez [www.cobra.com](http://www.cobra.com) régulièrement pour voir si des mises à jour sont disponibles.

- Connectez la caméra embarquée à votre ordinateur en utilisant le câble USB/Micro-USB fourni.
- La caméra va s'afficher dans l'explorateur de fichier.
- Téléchargez le fichier de mise à jour depuis [www.drivesmarter.com](http://www.drivesmarter.com) et enregistrez-le sur votre ordinateur. Ce fichier aura une extension en « .bin ». **Remarque** : Vous n'avez pas besoin de faire un double-clic sur ce fichier ou de l'ouvrir.
- Faites un copier/coller du fichier ou faites-le glisser dans le répertoire racine de la carte SD de la caméra.
- Attendez que le fichier soit complètement transféré avant de déconnecter la caméra embarquée de l'ordinateur. La caméra embarquée va s'éteindre.
- Branchez le câble Micro-USB dans une source d'alimentation fiable comme une prise électrique à la maison ou l'adaptateur CLA de votre véhicule. La caméra va s'allumer et afficher directement le menu de mise à jour du firmware.
- Suivez les instructions affichées sur l'écran de la caméra, si votre appareil en est pourvu, pour mettre le firmware à jour. Les appareils sans écran se mettent à jour automatiquement.
- Vous pouvez vérifier si votre caméra est à jour en vérifiant la version du firmware dans la page « À propos » du menu de votre appareil photo ou via l'application.

# SPÉCIFICATIONS DE LA CAMÉRA

						
Fonctions / Modèle	SC 100	SC 201	SC 200	SC 200D	SC 400	SC 400D
Résolution vidéo*	1080P Full HD	1080P Full HD avant et arrière	QHD	Caméra avant QHD, caméra arrière HD intégrale	4K UHD	Caméra avant 4K UHD, caméra arrière HD intégrale
Wi-Fi biphase	✓	✓	✓	✓	✓	✓
Heure et lieu de la prise de vue intégrés dans la vidéo	✓	✓	✓	✓	✓	✓
Surveillance à distance en direct	✓	✓	✓	✓	✓	✓
Connexion à l'application iRadar® pour des alertes en temps réel	✓	✓	✓	✓	✓	✓
Caméra à double objectif		Avant et habitacle	Flex Cams en option*	Avant et arrière	Flex Cams en option*	Avant et arrière
Champ de vision	140°	140° à l'avant / 120° dans l'habitacle	140°	140° avant/140° FlexView arrière et habitacle	140°	140° avant/140° FlexView arrière et habitacle
Écran	Aucun	LCD 2 po	LCD 3 po	LCD 3 po	Écran tactile OLED 3 po	Écran tactile OLED 3 po
Commandes vocales			✓	✓	✓	✓
Amazon Alexa					✓	✓

Flex Cams en option avec vue arrière et caméras dans l'habitacle disponibles pour SC200, SC 200D, SC 400 and SC 400D

# GUIDE DE DÉPANNAGE

Si votre appareil semble ne pas fonctionner correctement, suivez les étapes de dépannage suivantes :

- Vérifiez que le cordon d'alimentation est bien branché.
- Vérifiez que l'allume-cigare de votre véhicule est propre et ne présente pas de traces de rouille.
- Vérifiez que l'adaptateur du cordon d'alimentation est bien enfoncé dans l'allume-cigare
- Vérifiez que la dernière version du firmware a été installée sur votre appareil

## FAQ

- Où monter / positionner ma caméra embarquée sur le pare-brise ?
  - a. Allumez la caméra pour pouvoir voir ce que voit la caméra pendant le montage. Nous recommandons de monter la caméra centrée sous le rétroviseur.  
Si votre caméra a un écran, vous pouvez utiliser la fonction « Calibrer » de la caméra dans le menu ADAS pour aligner l'angle de vue. Les utilisateurs de la caméra SC100 peuvent utiliser l'application Drive Smarter pour afficher en direct de ce que la caméra voit pour faciliter le montage.
- Quelle est la plus grande taille de carte MicroSD que je peux utiliser avec ma caméra ?
  - a. Nous vous recommandons d'utiliser une carte Micro SD de classe 10 d'un fournisseur réputé, jusqu'aux tailles suivantes.

Modèle	SC100	SC201	SC200
Taille max de la carte SD	128 Go	256 Go	256 Go

- Pourquoi mon appareil ne s'allume pas ?
  - a. Vérifiez que votre appareil est bien branché. Si vous avez éteint l'appareil, *appuyez sur le bouton d'alimentation et maintenez-le enfoncé* pour qu'il se rallume.  
Si vous utilisez le mode parking et le mode de détection de mouvement avec un kit de connexion, il se peut que l'appareil ne se « réveille » pas lorsque vous entrez dans le véhicule. Commencez de conduire et quand l'appareil va détecter le mouvement, il va sortir de veille et commencer à enregistrer.
- Pourquoi l'enregistrement de l'habitacle / de l'intérieur du véhicule apparaît en noir et blanc ?
  - C'est le fonctionnement normal de la caméra de vision nocturne infrarouge. La caméra infrarouge permet à votre appareil d'enregistrer avec précision l'habitacle de votre véhicule dans des conditions de faible luminosité. Vous pouvez éteindre l'enregistrement infrarouge dans le menu Paramètres.
- Comment utiliser le Mode Parking et le Mode Détection de Mouvement ?
  - a. Le Mode Parking et le Mode Détection de Mouvement peuvent être activés dans les paramètres de la caméra. Ces deux fonctionnalités surveilleront automatiquement votre véhicule lorsque l'appareil est connecté directement au véhicule via un kit de connexion (pièce CA-MICROUSB-001 disponible sur [www.cobra.com](http://www.cobra.com)).  
Remarque : Lorsque la voiture est stationnée, votre appareil se met en mode « Veille ». Dans ce mode, il consomme peu et reste à l'affût des activités. L'appareil se réveille automatiquement s'il détecte un mouvement important ou si le véhicule est déplacé.



- Pourquoi mon appareil ne reçoit-il pas de signal GPS (l'icône GPS est rouge) ?
  - a. Quand vous êtes sur la route, l'appareil établit un signal avec le satellite. Il est possible que vous ne puissiez pas avoir de signal si vous êtes dans un garage, un parking sous terrain ou à la maison.

## RECONNAISSANCE DES MARQUES DÉPOSÉES, AVERTISSEMENTS et INFORMATIONS RÉGLEMENTAIRES

Cobra et le dessin du serpent sont des marques déposées de Cobra Electronics Corporation, USA. Les autres marques et noms commerciaux sont la propriété de leurs propriétaires respectifs.

Cobra Electronics Corporation™ est une marque commerciale de Cobra Electronics Corporation, USA.

La marque Bluetooth® est une marque déposée appartenant à Bluetooth SIG, Inc. et toute utilisation de ces marques par Cobra Electronics Corporation est sous licence. Les autres marques et noms commerciaux sont la propriété de leurs propriétaires respectifs.

La fonction d'affichage d'alerte de sensibilisation du conducteur est soumise aux numéros de brevets américains 8 842 004 et 8 970 422 et aux brevets américains supplémentaires en instance.

Attention ! La fonction d'alerte de collision avant (FCWS), lorsqu'elle est activée, est uniquement à des fins d'information limitées. La fonction FCWS ne remplace PAS la responsabilité du conducteur de faire preuve de prudence au volant, de se conformer à toutes les règles de circulation et d'observer toutes les conditions de route et de conduite à tout moment. La fonction FCWS utilise la caméra pour fournir un avertissement des véhicules [et des gros objets] approchant, par conséquent, elle peut avoir une fonctionnalité réduite ou inexistante par faible visibilité ou dans certaines conditions météorologiques.

Le conducteur est responsable de la conduite sûre et du contrôle du véhicule. Ne substituez pas votre propre jugement par les informations fournies par cette fonction. Cobra décline toute responsabilité en cas de blessures, de dommages ou de décès résultant de l'utilisation de cette fonction.

Attention ! La fonction d'alerte de départ de voie (LDWS), lorsqu'elle est activée, est uniquement à des fins d'information limitées. La fonction LDWS ne remplace PAS la responsabilité du conducteur de faire preuve de prudence au volant, de se conformer à toutes les règles de circulation et d'observer toutes les conditions de route et de conduite à tout moment. La fonction LDWS utilise la caméra pour déterminer si le véhicule dérive vers ou en dehors des marquages au sol désignant les voies et peut donc avoir une efficacité limitée si la visibilité est faible ou dans certaines conditions météorologiques, ou si la route sur laquelle vous roulez n'a pas ou peu de marquages au sol.

Le conducteur est responsable de la conduite sûre et du contrôle du véhicule. Ne substituez pas votre propre jugement par les informations fournies par cette fonction. Cobra décline toute responsabilité en cas de blessures, de dommages ou de décès résultant de l'utilisation de cette fonction.

REMARQUE : Cet appareil est conforme à la Partie 15 des règles FCC : Son fonctionnement est soumis aux deux conditions suivantes : (1) Cet appareil ne doit pas causer d'interférences nuisibles, et (2) Cet appareil doit accepter toute interférence reçue, y compris les interférences susceptibles d'entraîner un fonctionnement indésirable.

ATTENTION : Les modifications ou pièces non approuvées par Cobra Electronics Corporation peuvent enfreindre les règles FCC et annuler l'autorisation d'utiliser cet équipement. Cet appareil est conforme à la norme canadienne CNR-310 : Appareils radio exempts de licence : matériel de catégorie II. Son utilisation est soumise à la condition que cet appareil ne provoque pas d'interférences nuisibles.

CAN ICES-3B/NMB-3B.

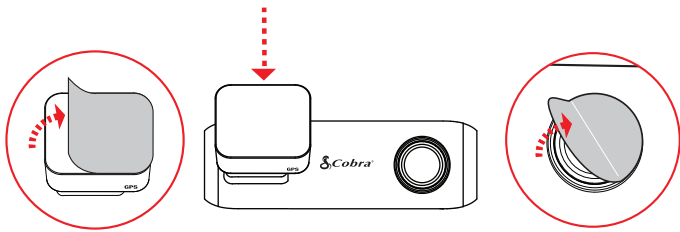
MISE AU REBUT DES ÉQUIPEMENTS ÉLECTRONIQUES : Ce produit peut contenir des substances dangereuses qui pourraient avoir un impact sur la santé et l'environnement si elles ne sont pas mises au rebut correctement.

Le symbole représentant une poubelle barrée indique que le produit ne doit pas être jeté avec les déchets ménagers. Il doit être déposé dans un point de collecte agréé pour le recyclage des équipements électroniques. En vous assurant que ce produit est éliminé correctement, vous aiderez à éviter un impact négatif potentiel sur l'environnement.

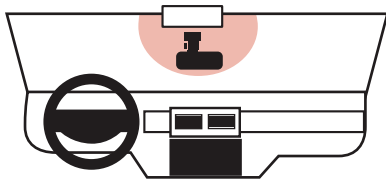
Si vous avez besoin de plus d'informations sur les systèmes de collecte, de réutilisation et de recyclage, veuillez contacter votre mairie ou le magasin où vous avez acheté le produit.



**1** Attach GPS Mount and remove the protective film from mount and camera lens

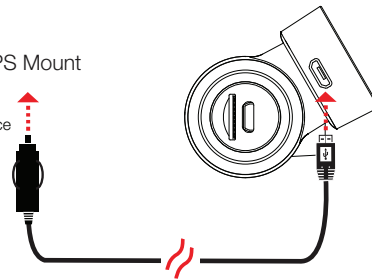


**2** Attach Camera Assembly to Windshield



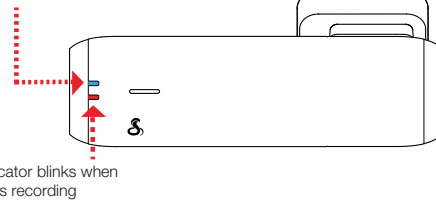
**3** Connect to GPS Mount

To 12V Power Source

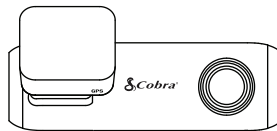


**4** Camera automatically turns on and begins recording

Blue LED indicator lights when camera is powered up



**5** View the camera's videos and adjust settings using the Drive Smarter App



- Adjust Volume
- Change Language
- Change Resolution
- Format SD Card
- Update Firmware
- ...and more!

# Cobra®

## SC 100 DASH CAM



### QUICK START GUIDE

Scan QR Code For  
Additional Languages:



# THANK YOU!

## For purchasing the new COBRA® SC 100

View, edit and share from your smartphone or desktop.  
Share & receive real-time driver alerts.  
Download today!  
[drivesmarter.com/downloads](http://drivesmarter.com/downloads)



Full manual available at: [www.cobra.com](http://www.cobra.com)

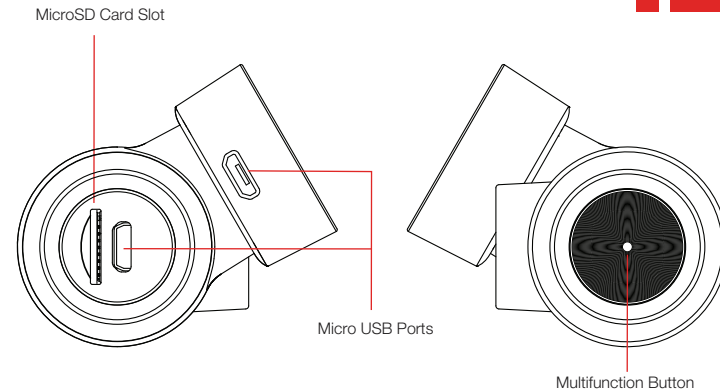
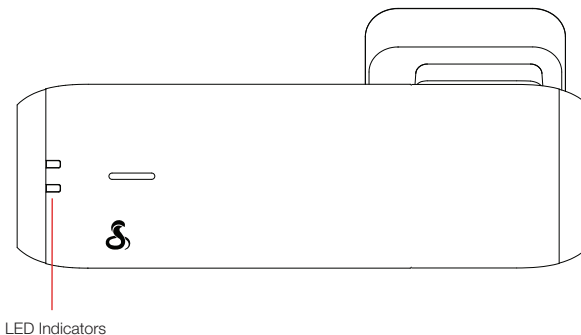
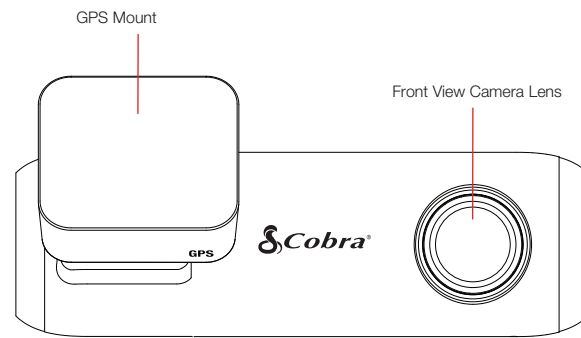


FCC ID: BB0SC100, IC: 906A-SC100. THIS DEVICE COMPLIES WITH PART 15 OF THE FCC RULES. OPERATION IS SUBJECT TO THE FOLLOWING TWO CONDITIONS: (1) THIS DEVICE MAY NOT CAUSE HARMFUL INTERFERENCE, AND (2) THIS DEVICE MUST ACCEPT ANY INTERFERENCE RECEIVED INCLUDING INTERFERENCE THAT MAY CAUSE UNDESIRABLE OPERATION.

FCC NOTE: Modifications not expressly approved by the manufacturer could void the user's FCC granted authority to operate the equipment.

Cobra® and the snake design are registered trademarks of Cobra Electronics Corporation, USA. Cobra Electronics Corporation™ is a trademark of Cobra Electronics Corporation, USA. Other trademarks and trade names are those of their respective owners.

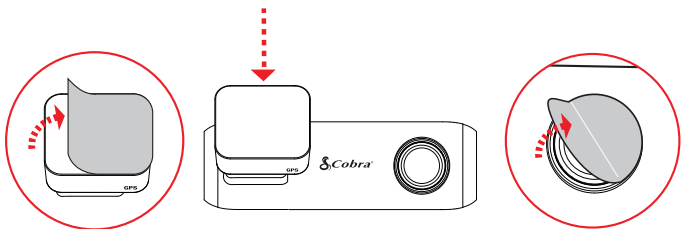
## SC 100 Features



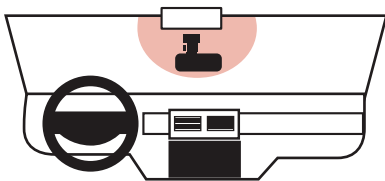
Button Press	Camera Action
Press and Hold 3 seconds	Power on/off
Short Press (Not Recording)	Begin Recording
Short Press (During Recording)	Lock Video
2x Short Press	Take Photo
Press and Hold 10 seconds	Reset



- 1** Fixez le support GPS et retirez le film protecteur du support et de l'objectif de l'appareil photo

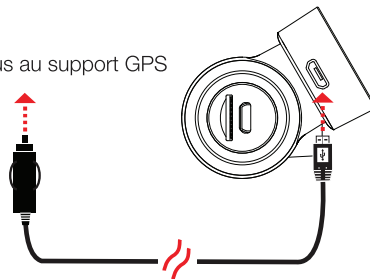


- 2** Fixez l'assemblage de la caméra à Pare-brise



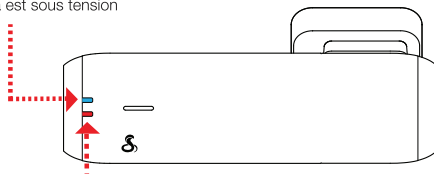
- 3** Connectez-vous au support GPS

Vers la source d'alimentation 12 V



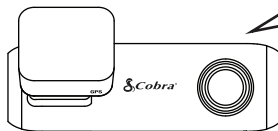
- 4** L'appareil photo s'allume automatiquement et commence l'enregistrement

Le voyant LED bleu s'allume lorsque la caméra est sous tension



Le voyant rouge clignote lorsque la caméra enregistre

- 5** Définir la langue audio de la caméra à l'aide de l'application



"Red-Light Camera Ahead"  
"Cámara de luz roja por delante"  
"Caméra lumière rouge devant"  
"Rotlichtkamera voraus"

**Cobra**<sup>®</sup>

**SC 100**  
CAMÉRA DE BORD



**GUIDE DE DÉMARRAGE RAPIDE**

Scanner le code QR pour des langues supplémentaires:



# MERCI!

## Pour acheter le nouveau COBRA® SC 100

Affichez, modifiez et partagez à partir de votre smartphone ou de votre bureau.

Partagez et recevez des alertes de conducteur en temps réel.

Téléchargez dès aujourd'hui!  
drivesmarter.com/downloads



Manuel complet disponible sur: [www.cobra.com](http://www.cobra.com)

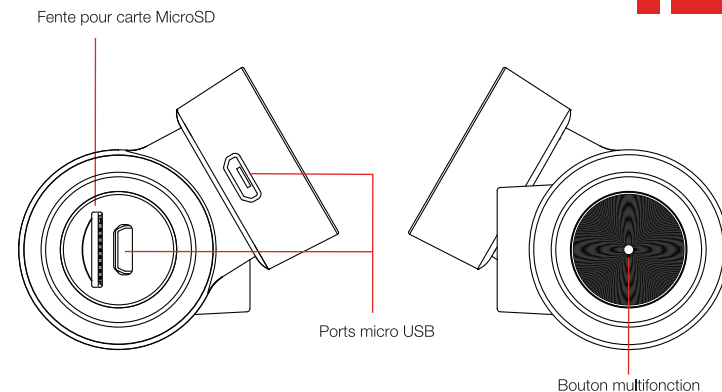
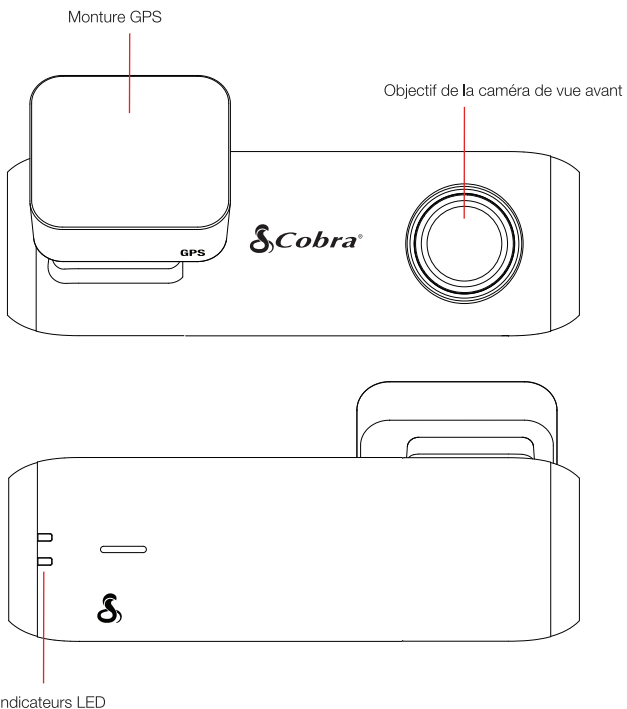


ID FCC: BB0SC100, IC: 906A-SC100. CET APPAREIL EST CONFORME À LA PARTIE 15 DES RÈGLES FCC. LE FONCTIONNEMENT EST SOUMIS AUX DEUX CONDITIONS SUIVANTES: (1) CET APPAREIL NE PEUT PAS CAUSER UNE INTERFÉRENCE DANGÉREUSE, ET (2) CET APPAREIL DOIT ACCEPTER TOUTE INTERFÉRENCE REÇUE, Y COMPRIS LES INTERFÉRENCES QUI PEUVENT CAUSER UN FONCTIONNEMENT INDÉSIRABLE.

REMARQUE FCC: Les modifications non expressément approuvées par le fabricant peuvent annuler l'autorisation accordée par la FCC à l'utilisateur de faire fonctionner l'équipement.

Cobra® et le dessin du serpent sont des marques déposées de Cobra Electronics Corporation, USA, Cobra Electronics Corporation™ est une marque commerciale de Cobra Electronics Corporation, USA. Les autres marques et noms commerciaux appartiennent à leurs propriétaires respectifs.

## SC 100 Caractéristiques



Appuyez sur le bouton	Action de la caméra
Appuyez et maintenez 3 secondes	Marche / arrêt
Appui court (pas d'enregistrement)	Commencer l'enregistrement
Appui court (pendant l'enregistrement)	Verrouiller la vidéo
2x presse courte	Prendre une photo
Appuyez et maintenez 10 secondes	Réinitialiser



Carte MicroSD  
8 Go



Monture  
GPS



Chargeur de  
véhicule



Câble de  
données micro USB



Guide de  
démarrage rapide